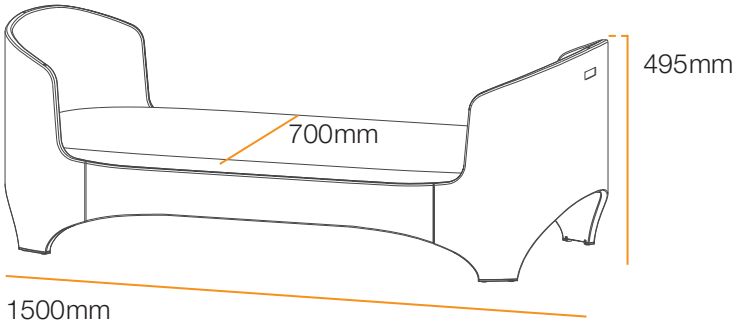
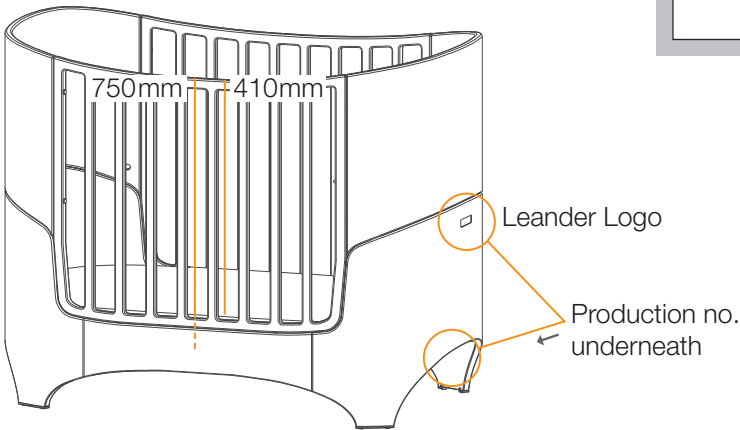
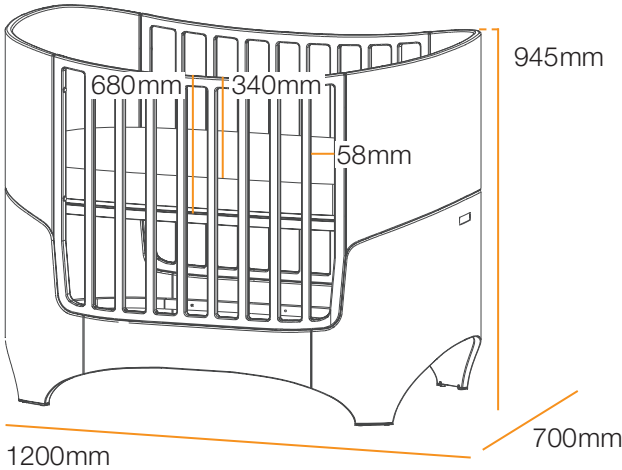


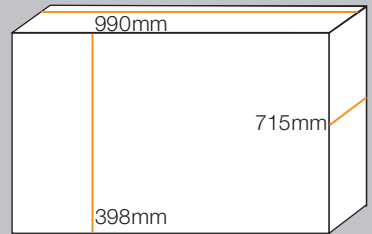
The Leander Bed incl. junior kit

Technical data for the Leander Bed



BOX Specification

BOX 1/2 • Brutto 33,5kg



BOX 2/2 • Brutto 14kg

