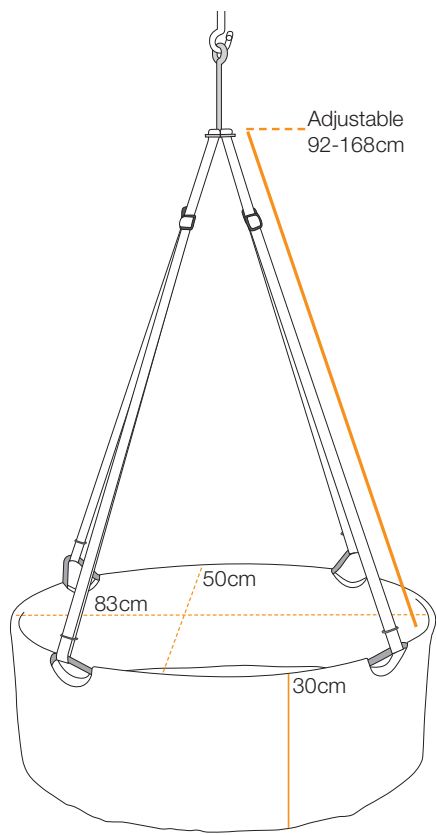
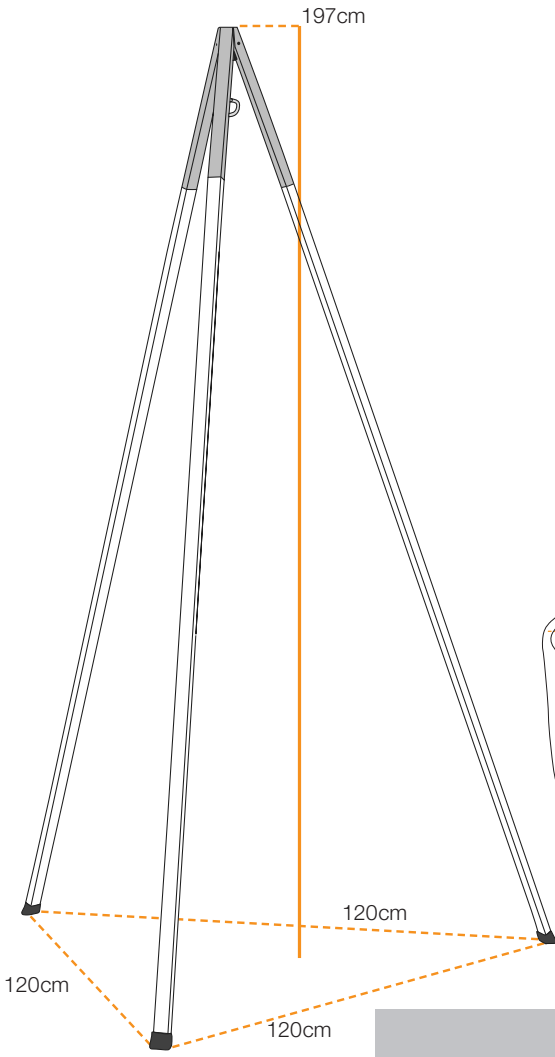


The Leander Cradle and Stand

Technical data for the Leander Cradle and Stand



BOX Specification

BOX Cradle • Brutto 10kg



BOX Stand • Brutto 4,1 kg

