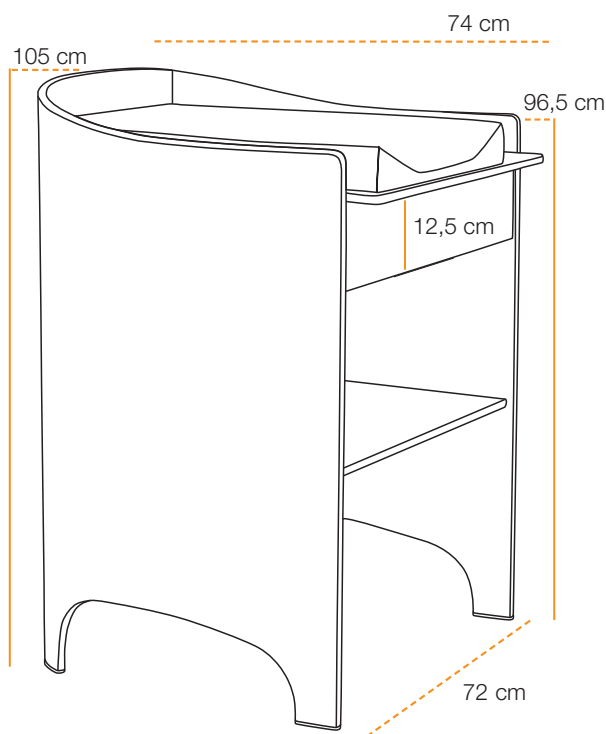


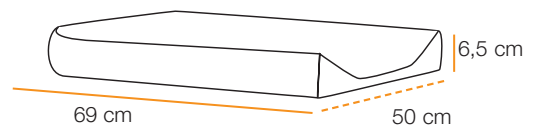
The Leander Changing Table

Technical data for the Leander Changing Table

Leander®

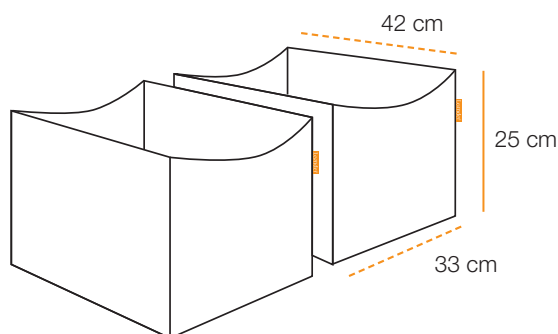


Changing Pad



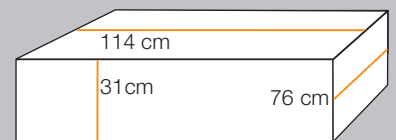
Cover: 100% Bomuld/Baumwolle/Cotton/Coton
Oeko-Tex 100
Coating: Akryl/Acryl/Acrylic/Acrylique
Filling: 100% Polyurethane

Accessories: Storage Boxes - 2 pack

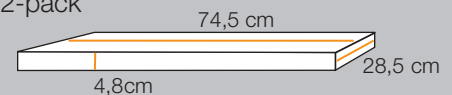


BOX Specification

BOX Changing Table • Brutto 44,8 kg



BOX Storage Boxes • Brutto 3,2 kg
2-pack



Changing Table 44,8 kg incl. Changing Pad 375 gr