

TROLL NURSERY

LUKAS CHANGER



**IMPORTANT
RETAIN FOR FUTURE REFERENCE
READ CAREFULLY**

The illustrations in these instructions are to be used as a guide only

Conforms to standard EN 12221-1&2:2008 + A1:2013

Made in Latvia

TROLL NURSERY

SAFETY INSTRUCTIONS

WARNING!

Your child's safety is your responsibility.

This changing table is suitable for use by a child up to approximately 12 months old or maximum weight 11 kg.

Additional or replacement parts should only be supplied by manufacturer or distributor.

Remove all parts from packaging and check against the parts list.

Do not discard any packaging until you are sure you have all parts and the pack of fittings.

You will find it easier to assemble the table if a second adult is available to help you.

Ensure that the table is kept away from strong heat sources such as electrical bar, gas and open fires.

Do not use if any part is broken or missing.

WARNING: Do not leave the child unattended on the changing table.

All assembly fittings shall be correctly tightened and checked regularly.

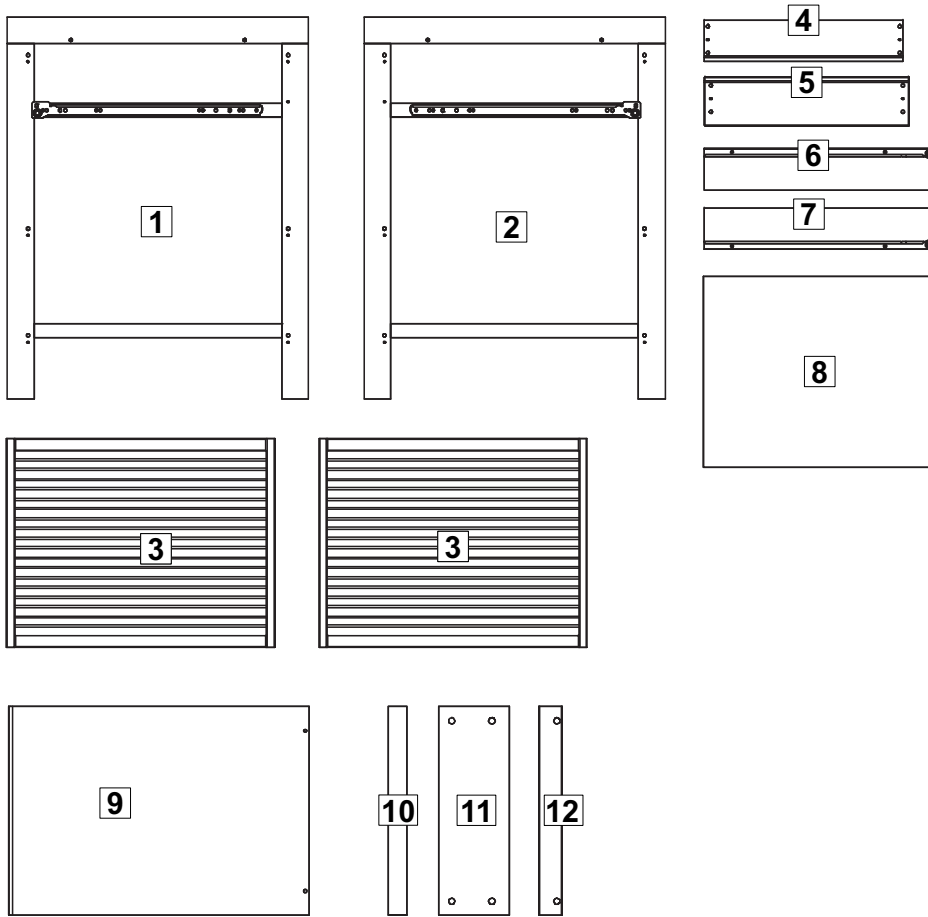
The recommended mattress size for the table is 70 x 50 cm.

Changing mattress must not exceed 2 cm thickness.

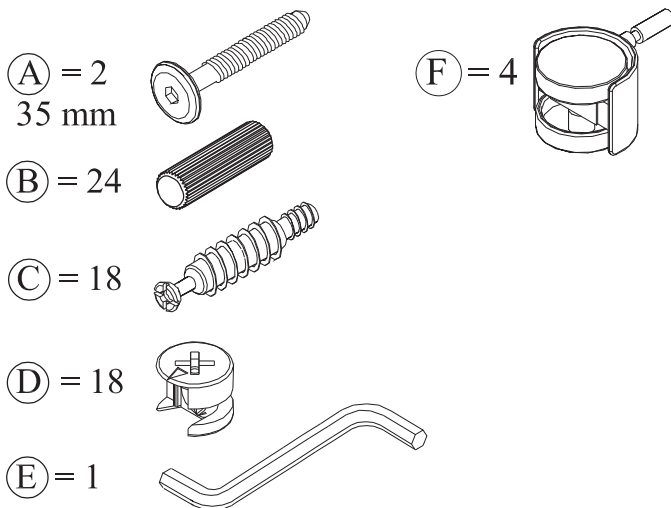
Check regularly to ensure that all the components are secure.

To clean use a damp cloth, avoiding the use of strong detergents or abrasives.

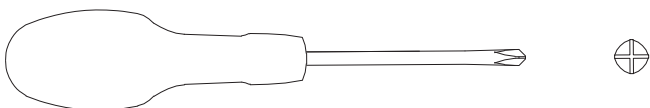
PARTS LIST



FITTINGS LIST

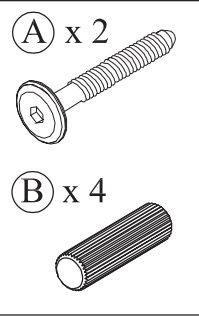
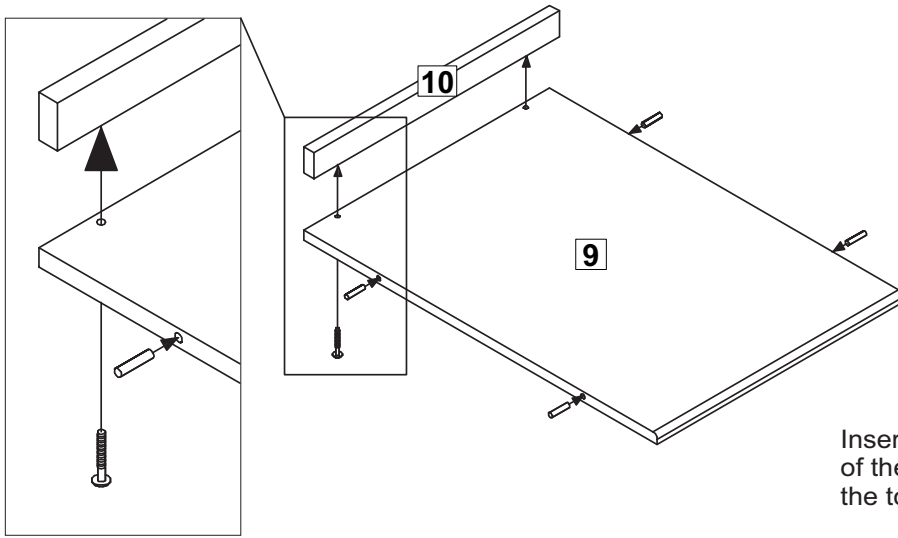


TOOLS REQUIRED



ASSEMBLING

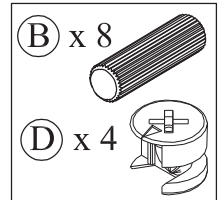
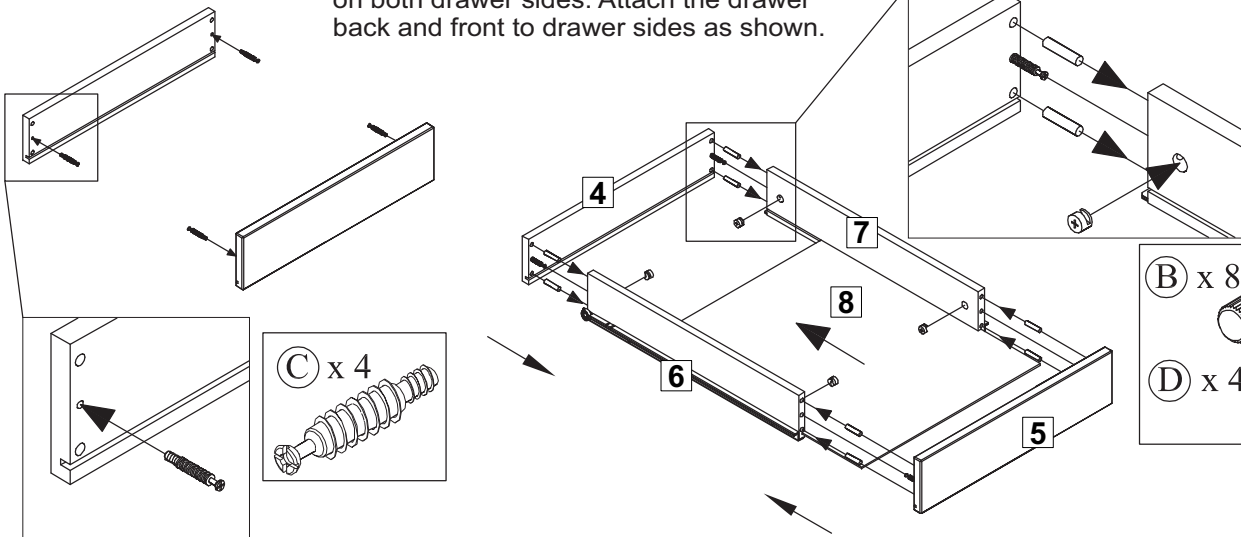
1



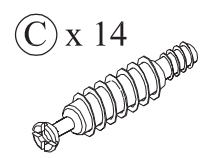
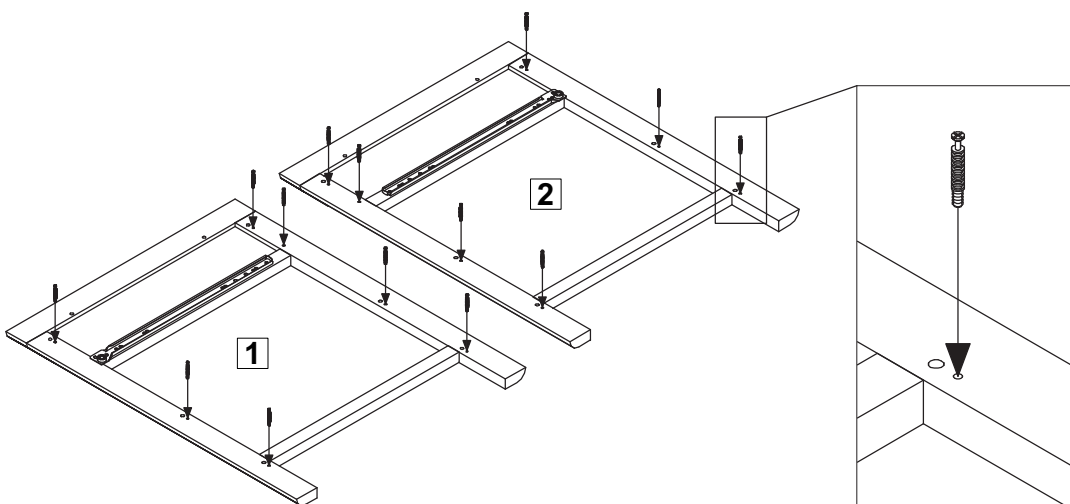
Insert wooden dowels B into the edge of the top shelf. Fix the back panel to the top shelf using bolts A.

2

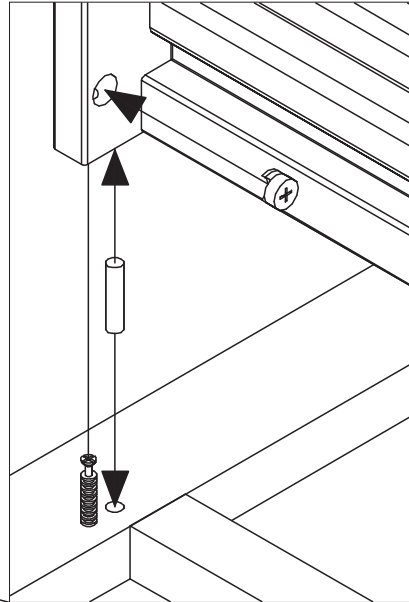
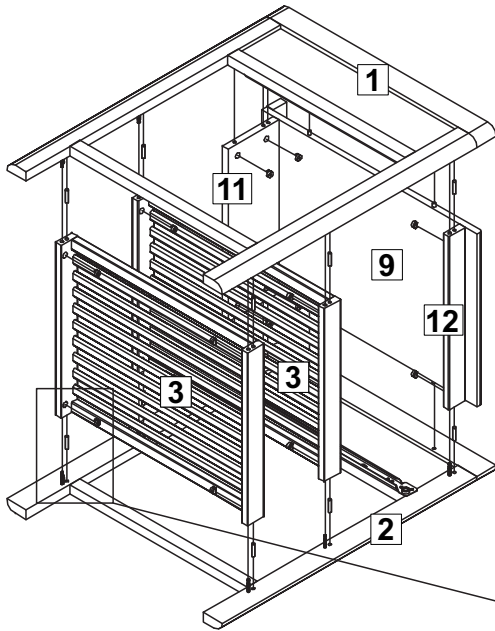
Insert the drawer base into the slots on both drawer sides. Attach the drawer back and front to drawer sides as shown.



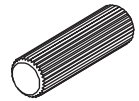
3



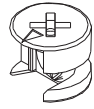
4



B x 12

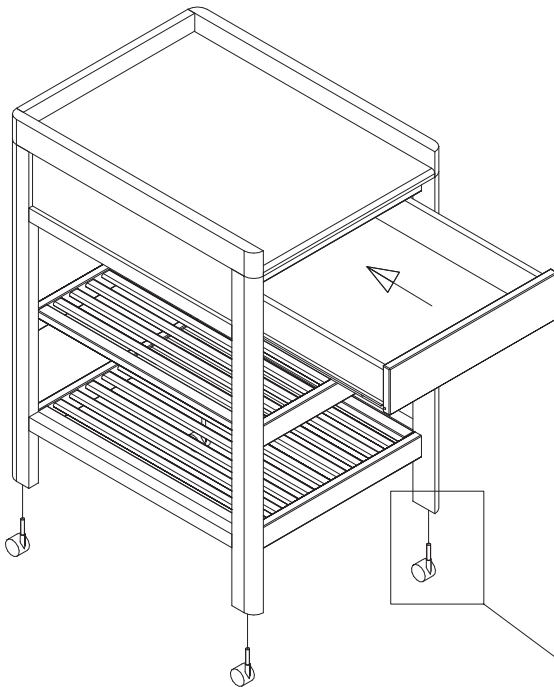


D x 14

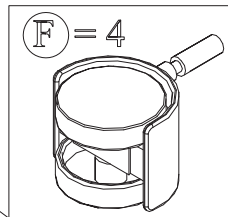


Attach the top shelf to the side frames by aligning the wooden dowels into the predrilled holes. Fix the two internal shelves and top shelf supports to side frames using fittings B and D.

5



Insert the drawer into drawer tracks.



CUSTOMER ENQUIRIES

Manufacturer:

SIA Troll Smiltene,
Rigas street 18,
Smiltene, LV-4729,
Latvia
www.troll.lv

Australian distributor:

Danish by Design,
PO Box 1543 Black Rock VIC 3193.
www.danishbydesign.com.au

TROLL NURSERY